

EN DOUBLE OVEN INSULATION REPAIR KIT - 679434

⚠WARNING: The information provided in this document is intended for trained, qualified personnel only. The proper function and the safety of the appliance can be affected by an improper repair, which may result in serious injury or damage to property. BSH Home Appliances Corporation is not liable for damages caused by improper repairs performed by unauthorized parties. Local codes and standards apply and must be observed. Contact the Technical Support Team for further assistance.

Insulation Repair Kit 679434 has been developed to enable authorized servicers to add insulation to select Thermador double ovens if the results of the Insulation Test indicated there were one or more gaps in the insulation. (Use **Double Oven Insulation Test Kit 619379** to test and evaluate insulation.)

THE FOLLOWING MODELS BUILT BETWEEN MARCH 2004 AND JANUARY 2007 (FROM FD 8403 THROUGH 8701) MAY REQUIRE INSULATION REPAIR		
C272BB	SEC272BB	SECD272BB
C272BS	SEC272BP	SECD272BP
C272BW	SEC272BS	SECD272BS
C302BB	SEC302BB	SECD302BB
C302BS	SEC302BP	SECD302BP
C302BW	SEC302BS	SECD302BS
	SEC302BW	SECD302CM

REPAIR KIT CONTENTS	
(4) Pieces 6" x 21" insulation	(2) Long air channels
(4) Pieces 2" x 20" insulation	(1) 1 ¹ / ₄ " x 20" flat wooden insulation insertion tool
(4) Pieces 6" x 15" insulation	(1) Signature return card
(18) Sheet metal screws	(1) Insulation Test Kit 619379 (includes 2 probes and instruction sheet)
(1) Instruction sheet	
TOOLS REQUIRED	
Phillips-head screwdriver	Flat-blade screwdriver
Oven dolly	Scissors, box cutter, or knife
Gloves	
ESTIMATED REPAIR TIME: 1 – 2 hours	

IMPORTANT!

- ✓ **Review all instructions before beginning repair.**
- ✓ **Both upper and lower ovens must be repaired as described in these instructions if both upper and lower ovens failed the insulation test.**
- ✓ **Both left and right sides of unit must be repaired as described in these instructions if both left and right sides of unit failed the insulation test.**
- ✓ **Complete repair work on one side of the unit at a time.**
- ✓ **Wear gloves whenever working with insulation material or handling potentially sharp metal parts.**

REPAIR PROCEDURE

1. Turn off power to the unit.
2. Remove upper and lower oven doors.
3. Using the oven dolly for support, slide unit away from the wall/cabinetry far enough to allow access to the right and left side wraps and rear supports.
4. Remove side trim (1), vent cover (2), rear support (3) and side wraps (4) as shown in Figure 1. Also disconnect meat probe receptacle if present.

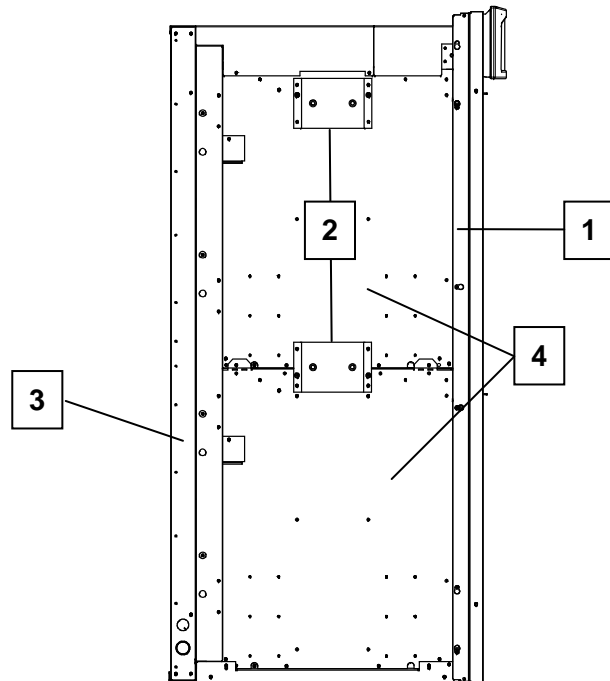


Figure 1

5. Inspect oven insulation to determine where gaps are located, as shown in Figures 2 and 3. If insulation is askew, also check for gap in top front area (Figure 3).

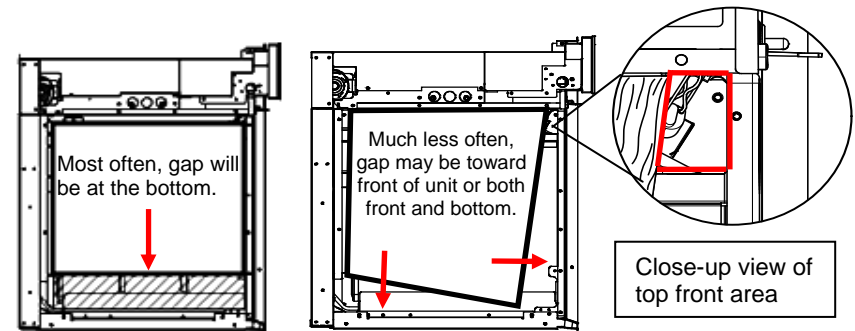


Figure 2

Figure 3



6. To begin repairing gap(s), mark and trim the existing outer insulation, being careful not to cut the inner insulation band. (The band should be positioned vertically along the front edge of the unit beneath the outer insulation.) If there is a gap at the bottom, trim outer insulation, leaving a 5 1/2" border along the bottom. If there is a gap along the side, trim outer insulation, leaving a 5 1/2" border along the side, as shown in Figure 4. Vent cover may be used as measuring tool (see Figure 5).

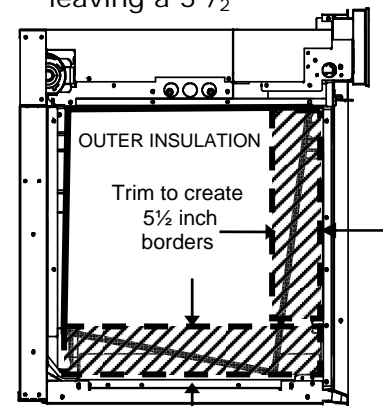


Figure 4

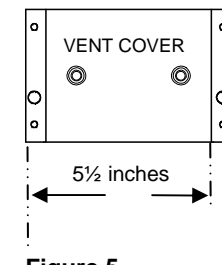


Figure 5

7. Fill gaps on oven bottom and/or side by installing the 6" wide strip(s) of insulation, butting the new insulation up against the original insulation for a tight fit. See Figures 6 and 7.

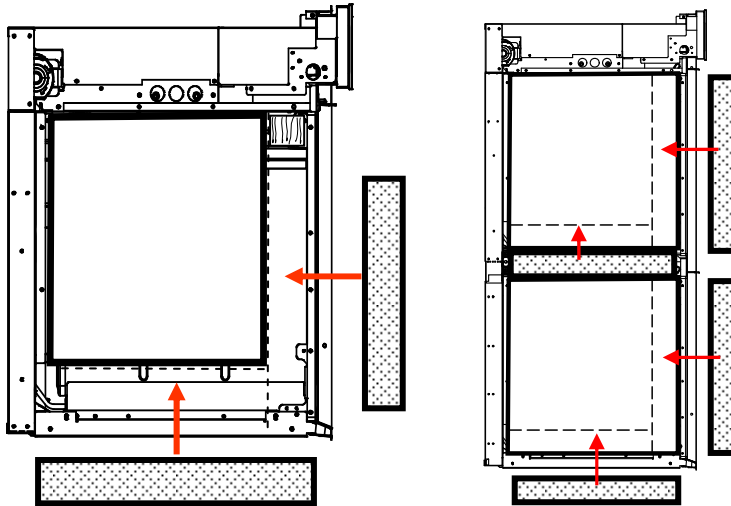


Figure 6

Figure 7

8. Fill top-front gap (if necessary) with a 2" x 20" piece of insulation and the insulation insertion tool. Drape 2-3" of insulation over the top of the insertion tool as shown in Figure 8. Insert the tool with insulation into the gap as far as it will go, then carefully retract the tool, leaving the insulation in place.

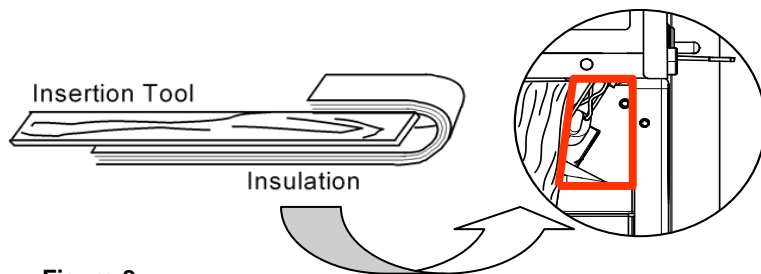
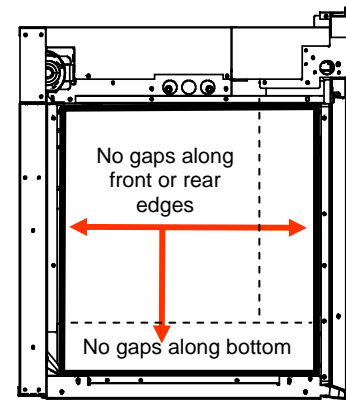


Figure 8

9. Confirm that repair work has not left gaps between insulation and oven edges as shown in Figure 9. Tuck and fold any insulation that may be hanging over edges.



Correct Insulation

Figure 9

10. Repeat steps 5 – 9 on other oven (same side) if one or more gaps were found.
11. Reinstall side wraps (1), rear support (2), install new vent cover (3), and reinstall side trim (4) as shown in Figure 10.

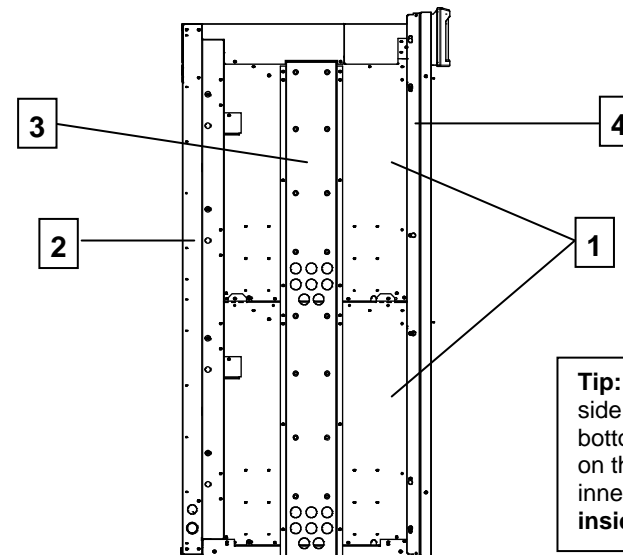


Figure 10

Tip: When reinstalling side wraps, be sure bottom edge is placed on the **inside** of the inner bracket and **inside** the outer tabs.

12. Repeat steps 4-11 on the opposite side of unit.
13. When repair of entire unit has been completed, cut and remove corner of energy data tag as shown in Figure 11 to indicate that unit has been tested and repaired.

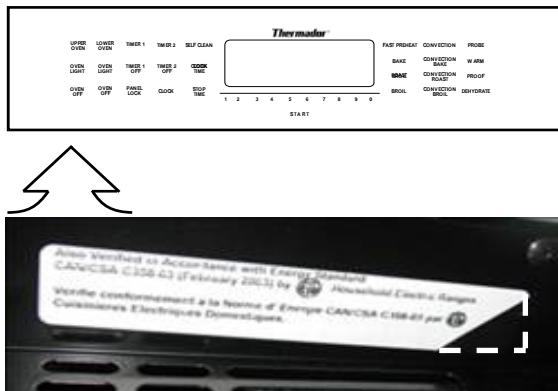


Figure 11

14. Reinstall oven in cabinetry and reinstall doors.
15. Restore power.
16. Test operation.
17. Record the following information on the service invoice:
Model and serial number
Note *Insulation Repaired*
Part: 679434 **Qty:** 0
Fault Code: 81
Call Code: 031
18. Complete the Signature Return Card and mail within 3 days to ensure prompt processing.

For further assistance or to order additional **Double Oven Insulation Repair or Test Kits**, please contact the Thermador Customer Support Team at (800) 735-4328.

Visit *QuickFinder* at <http://portal.mch.bshg.com/portal>.